

## EGM Golf - Installation of Payter Apollo Units (052)

### You will need:

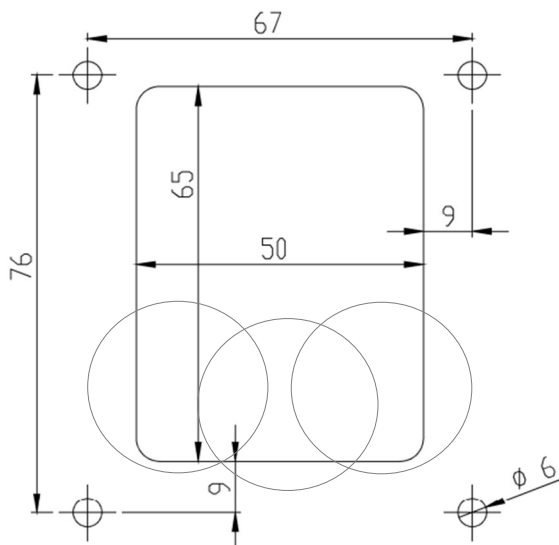


- Payter Apollo. (1)
- Sticky-back Antenna. (2)
- Pulse Enclosure with wiring loom(s) (3)
- USB Mini-B to USB-C Cable. (4)
- Fixing hardware. (5)
- Appropriate Philips screwdriver to screw unit to panel.

### *If retrofitting:*

- *6mm metal drill (for panel holes).*
- *Reciprocating saw for stainless steel or 25mm hole saw.*

### Fitting the new unit



To begin, drill holes in the dispenser panel for the mounting screws as well as cutting out the area for the cables to pass through (this may be possible with 3x 25mm holes) as per the diagram left.

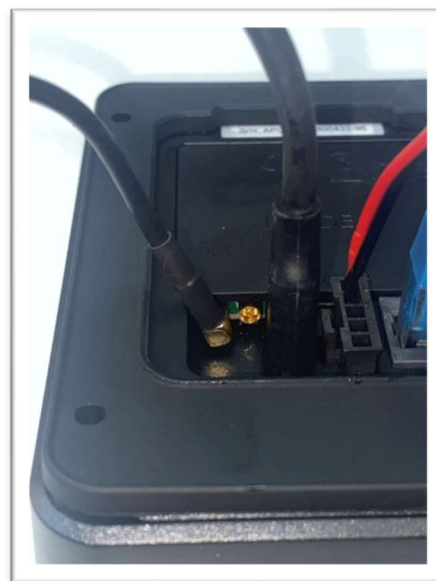
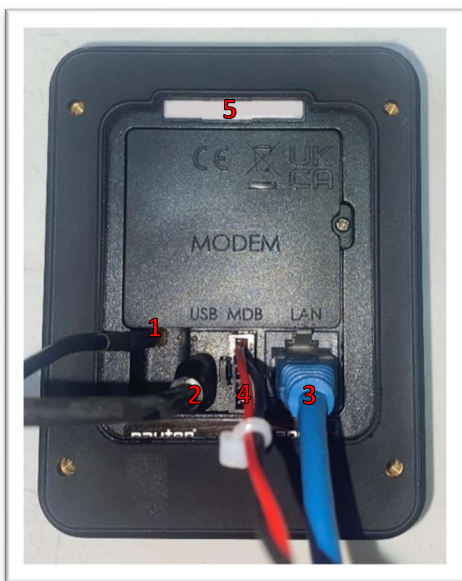
**\*\* All sharp edges should be deburred. \*\***

A to-scale print out can be found on our website ([www.egmgolf.co.uk/support/dispensers](http://www.egmgolf.co.uk/support/dispensers)) or requested by emailing us at [info@egmgolf.co.uk](mailto:info@egmgolf.co.uk)

On the reverse of the unit there is a rubber seal and there are multiple ports for various cables, these are appropriately labelled. The rubber seal prevents water getting in around the mounting area, ensure that this is in place as the picture below.

Power the dispenser off, then fit the antenna (1) to the gold socket on the left-hand side (leave the right-hand socket empty) and the USB cable (2) into the USB-C Port labelled "USB". The ethernet cable (3) goes into the "LAN" port (if applicable) & the "MDB" plug (4) into the remaining socket. These will have to be passed through the hole in the dispenser panel before being plugged into the unit.

***Please make a note of your unit's serial number at this point for future reference (5)***



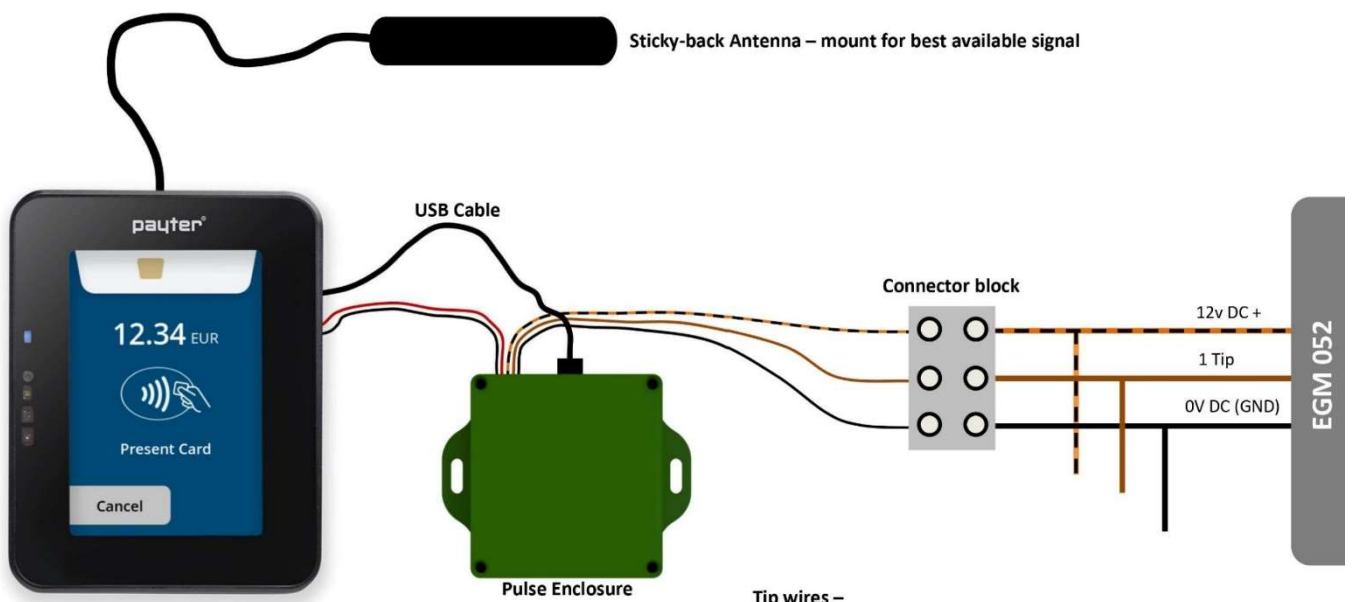
Use the 4x Short Phillips head screws included to fix the unit onto the dispenser panel (as shown below).

***Note: To avoid damaging the unit/cables, it is best to get a colleague to offer the unit up whilst it is fastened into place from the rear.***



Plug the USB cable from the Payter unit into the pulse enclosure and then route the cables from the Payter unit so that there is no risk to them being trapped in the door, it is recommended that the pulse enclosure is fixed inside the control box to further mitigate this risk. Wire the cables coming from the pulse enclosure into the 052 controller as per the wiring diagram below.

Find a suitable route out of the control box for the antenna cable, and make sure it will not get snagged on any parts of the machine. Locate the antenna on a flat surface as high as possible to obtain the best GSM signal.



**Tip wires –**

To tip manually, touch a colour onto the black wire.  
Please note that the controller can be programmed to totalise pulses counted and dispense a custom number of tips.

**Note:**

Other payment devices can be connected to the tip wires.  
Ensure that they have N.O (Normally open) contacts.

Colour	Action (Factory Default)
Brown	1 tip
Red	2 tips
Orange	3 tips
Yellow	4 tips