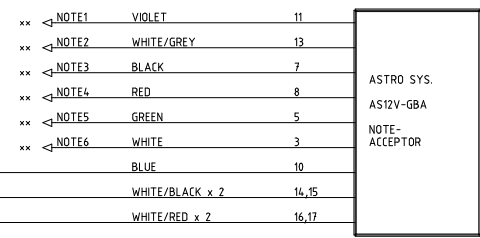
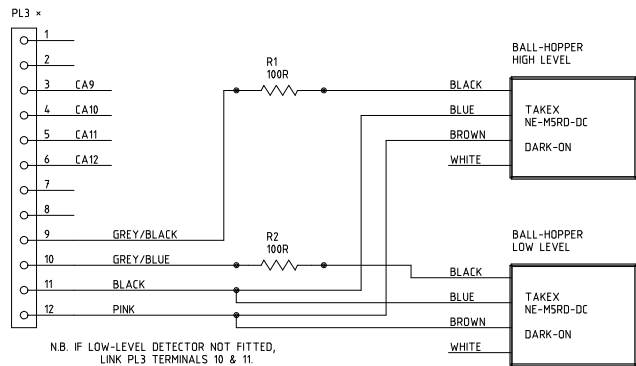


** CONNECT TO CA1-CA8 INPUTS ON PL4 & CA9-CA12 INPUTS ON PL3 (IF FITTED) AS APPROPRIATE.

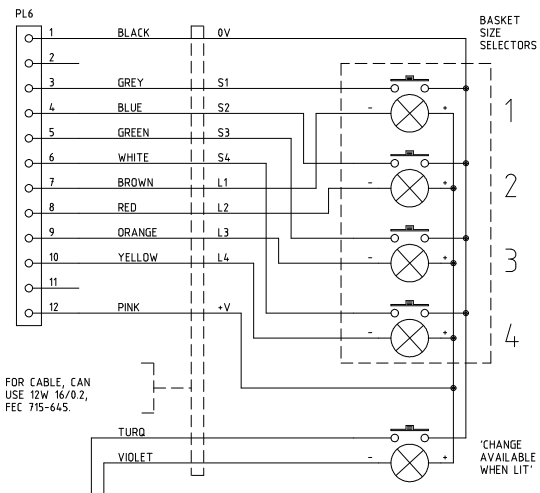


** MECHANICAL ACCEPTORS & KEY SWITCHES (FIT AS REQUIRED)

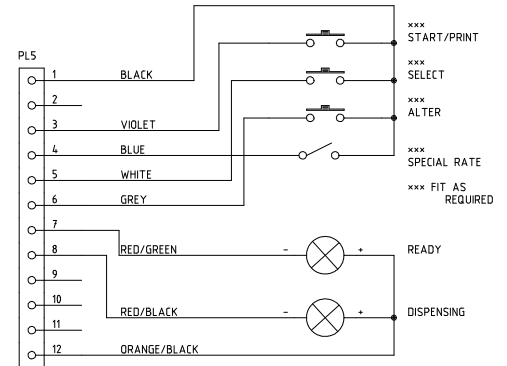
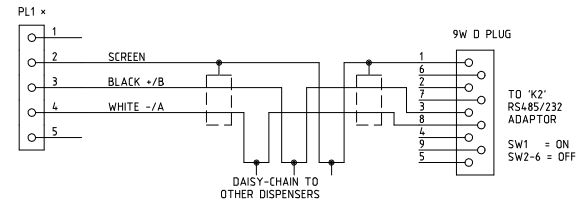
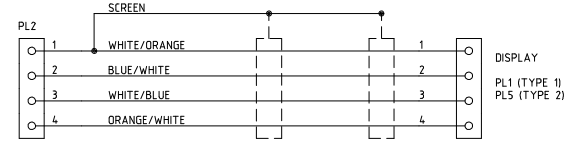
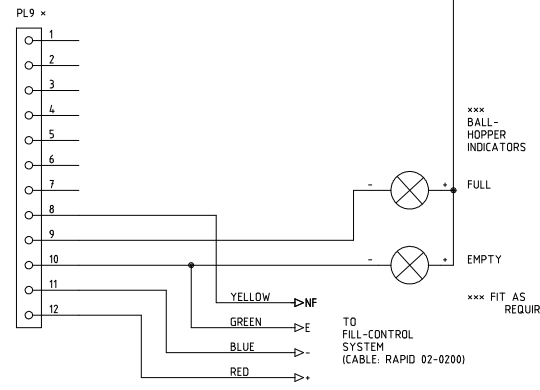
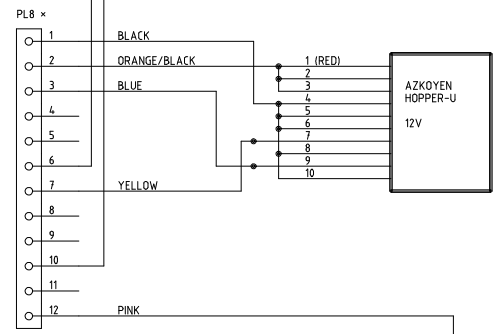


RESISTORS R1 & R2 = RS 148-269

OPTICAL DETECTORS FROM OEM AUTOMATIC



FOR CABLE, CAN USE 12W 16/0.2, FEC 715-645.



CONNECTORS MARKED * FITTED ON TYPE-2 ONLY.

N.B. ALL INDICATORS ARE 12/14V 1.1W MAX.

From s/n 0731001

Gerald D. Pye - Design Engineer		
E-mail: GDP@edenyard.co.uk		
Title		
073 Type 1/2 - Peripheral Wiring		
Size	Document Number	REV
B	GDP073034	F
Date:	August 9, 2006	Sheet 2 of 2