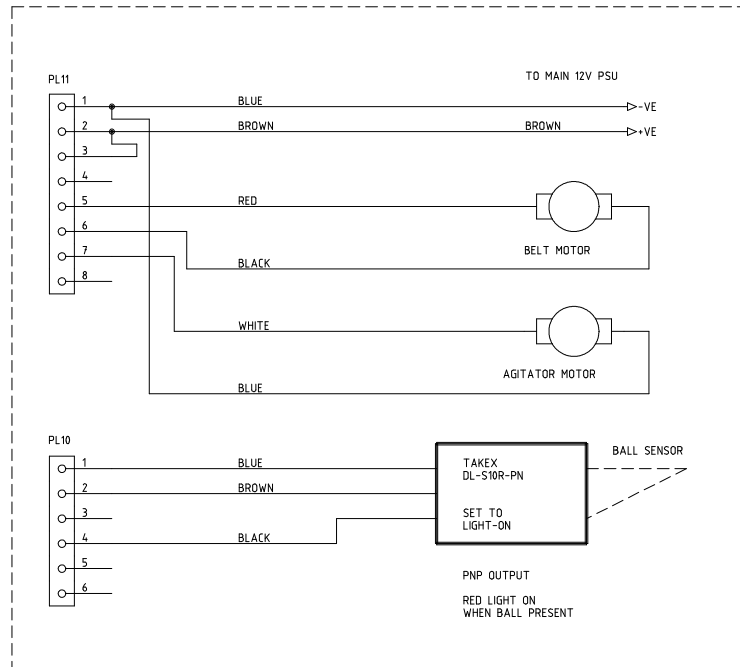
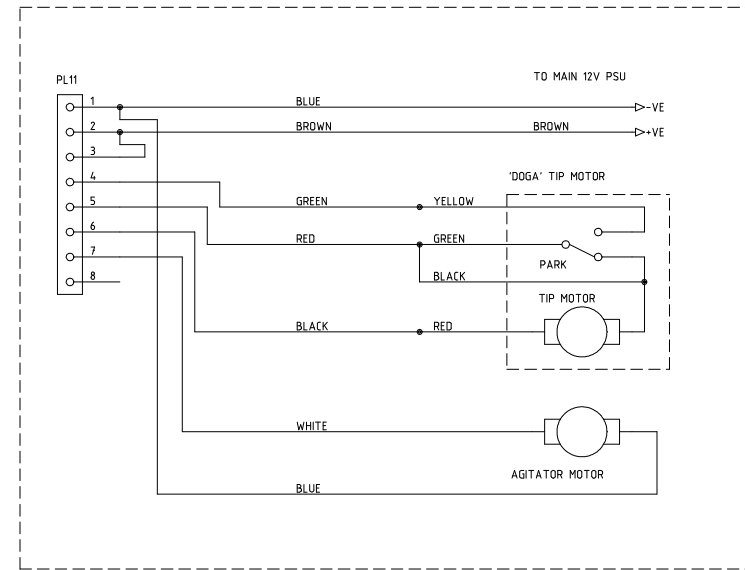


WIRING FOR SINGLE-BALL DISPENSER



WIRING FOR TIPPING-TRAY DISPENSER



From s/n 0731001

Gerald D. Pye - Design Engineer			
E-mail: GDP@edenyard.co.uk			
Title			
073 Type 1/2 - Dispenser Motors & PSU Wiring			
Size	Document Number	REV	
B	GDP073027	A	
Date:	July 12, 2004	Sheet	1 of 2